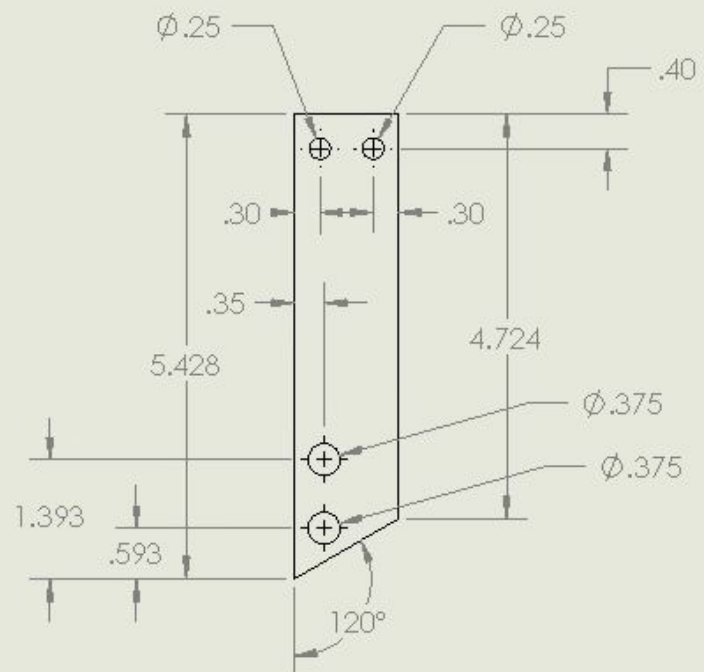
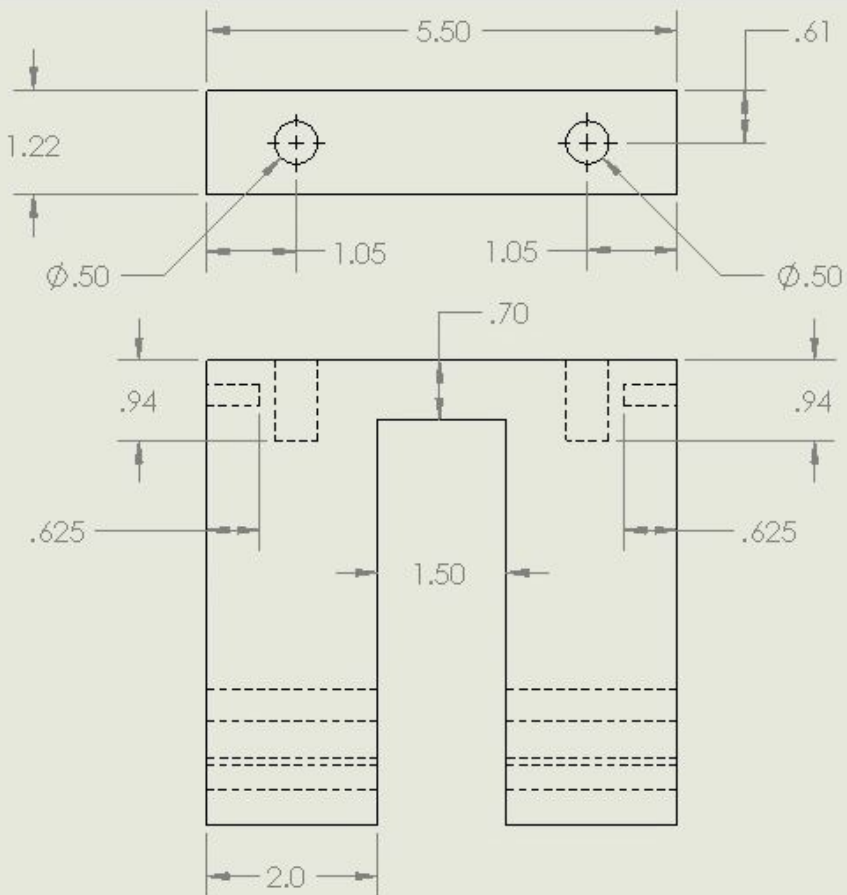


2

1



B

B

A

A

PROPRIETARY AND CONFIDENTIAL
 THE INFORMATION CONTAINED IN THIS
 DRAWING IS THE SOLE PROPERTY OF
 <INSERT COMPANY NAME HERE>. ANY
 REPRODUCTION IN PART OR AS A WHOLE
 WITHOUT THE WRITTEN PERMISSION OF
 <INSERT COMPANY NAME HERE> IS
 PROHIBITED.

UNLESS OTHERWISE SPECIFIED:		NAME	DATE
	DIMENSIONS ARE IN INCHES TO TOLERANCES: 0.001 FRACTIONAL ± 1/1000 ANGULAR: MACH ± BEND ± TWO PLACE DECIMAL ± 0.001 THREE PLACE DECIMAL ± 0.001	DRAWN	MM 8/4/21
	NON-METRIC DIMENSIONS TOLERANCE PER:	CHECKED	
	MATERIAL: 6061-T6 Aluminum	ENG APPR.	
	FINISH	MFG APPR.	
NEXT ASSY	USED ON	Q.A.	
APPLICATION		COMMENTS:	

TITLE:
**Mechanical Mesquite
 Bean Harvester**

SIZE A	DWG. NO. upperPillowBlockMount1	REV 1
SCALE: 1:2	WEIGHT:	SHEET 1 OF 1

2

1