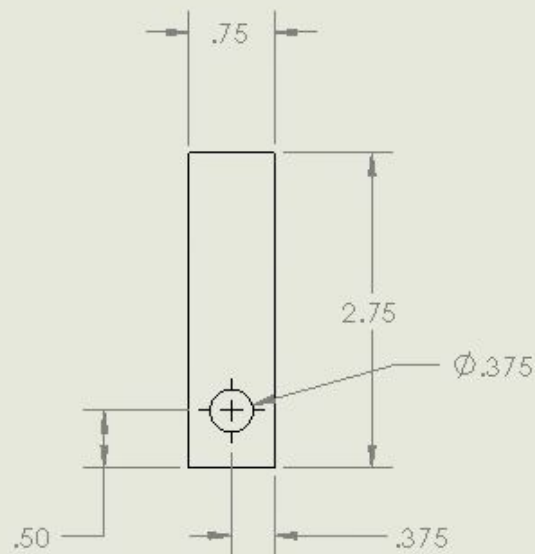
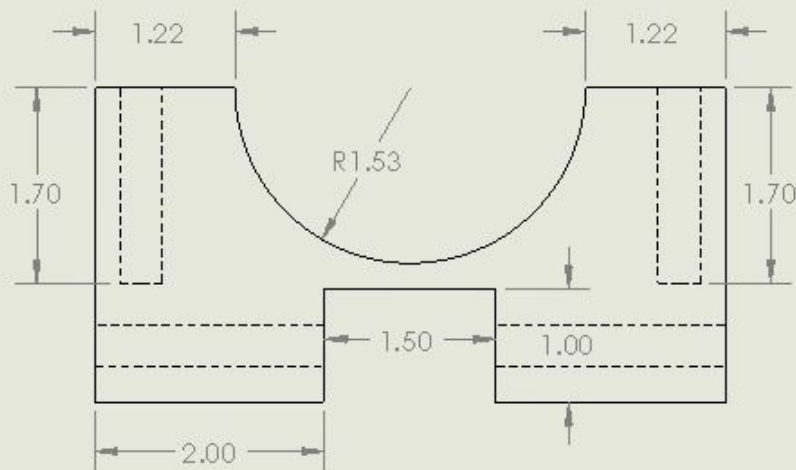
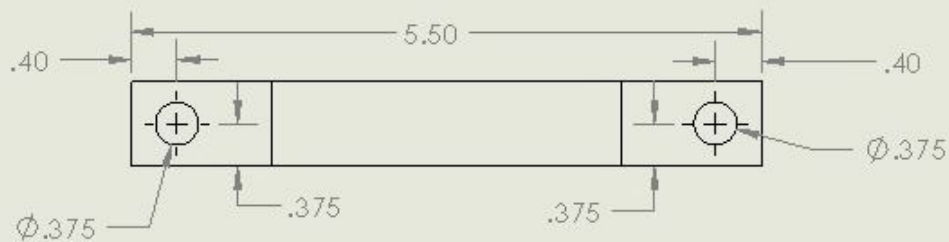


2

1



B

B

A

A

PROPRIETARY AND CONFIDENTIAL  
 THE INFORMATION CONTAINED IN THE  
 DRAWING IS THE SOLE PROPERTY OF  
 <INSERT COMPANY NAME HERE>. ANY  
 REPRODUCTION IN PART OR AS A WHOLE  
 WITHOUT THE WRITTEN PERMISSION OF  
 <INSERT COMPANY NAME HERE> IS  
 PROHIBITED.

UNLESS OTHERWISE SPECIFIED:		NAME	DATE
DIMENSIONS ARE IN INCHES		DRAWN	MM 8/2/21
TOLERANCES: 0.001		CHECKED	
FRACTIONAL ± 1/1000		ENG APPR.	
ANGULAR: MA CH ± BEND ±		MFG APPR.	
TWO PLACE DECIMAL ± 0.001		Q.A.	
THREE PLACE DECIMAL ± 0.001		COMMENTS:	
INTERPRET GEOMETRIC TOLERANCING PER:			
MATERIAL: 60 61-T6 Aluminum			
FINISH:			
NEXT ASSY	USED ON		
APPLICATION		DO NOT SCALE DRAWING	

TITLE:  
 Mechanical Mesquite  
 Bean Harvester

SIZE <b>A</b>	DWG. NO. motormountBottom	REV <b>1</b>
------------------	------------------------------	-----------------

SCALE: 2:3 WEIGHT: SHEET 1 OF 1

2

1