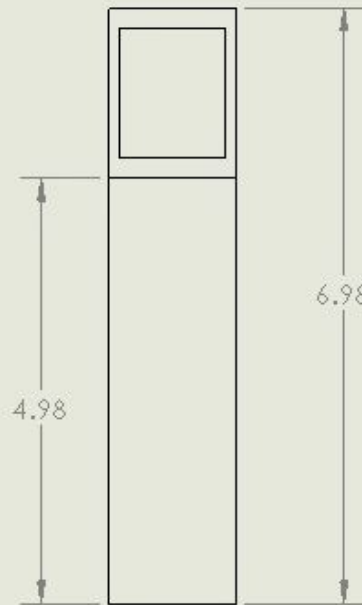
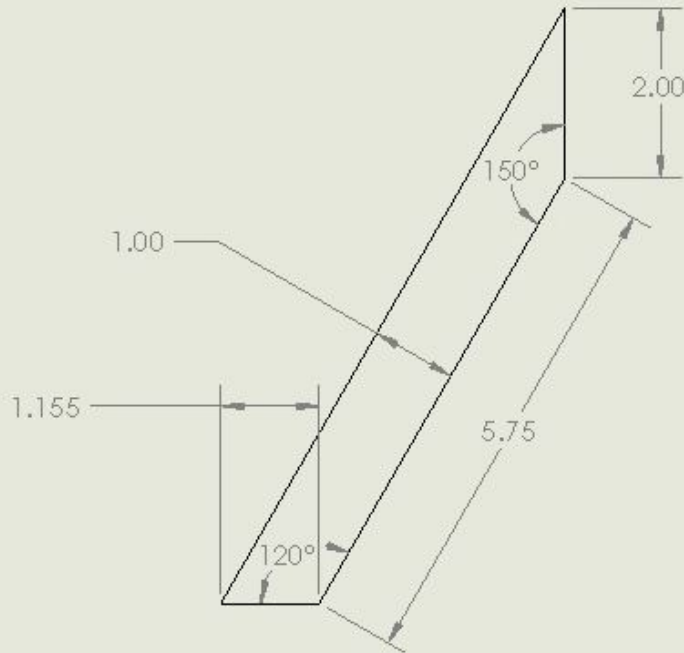
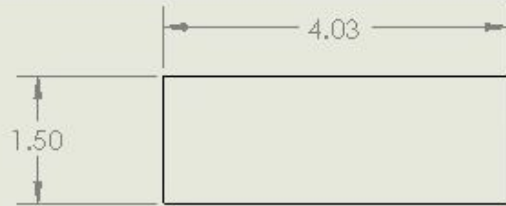


2

1



B

B

A

A

PROPRIETARY AND CONFIDENTIAL  
 THE INFORMATION CONTAINED IN THIS  
 DRAWING IS THE SOLE PROPERTY OF  
 <INSERT COMPANY NAME HERE>. ANY  
 REPRODUCTION IN PART OR AS A WHOLE  
 WITHOUT THE WRITTEN PERMISSION OF  
 <INSERT COMPANY NAME HERE> IS  
 PROHIBITED.

UNLESS OTHERWISE SPECIFIED:		NAME	DATE
DIMENSIONS ARE IN INCHES		DRAWN	MM 8/27/21
TOLERANCES: 0.002		CHECKED	
FRACTIONAL ±		ENG APPR.	
ANGULAR: MACH ± BEND ±		MFG APPR.	
TWO PLACE DECIMAL ±0.002		Q.A.	
THREE PLACE DECIMAL ±0.002		COMMENTS:	
INTERPRET GEOMETRIC TOLERANCING PER:			
MATERIAL:			
60 61-T6 Aluminum			
FINISH:			
NEXT ASSY	USED ON		
APPLICATION			
DO NOT SCALE DRAWING			

TITLE:  
 Mechanical Mesquite  
 Bean Harvester

SIZE <b>A</b>	DWG. NO. HookPiece1	REV <b>1</b>
------------------	------------------------	-----------------

SCALE: 1:2 WEIGHT: SHEET 1 OF 1

2

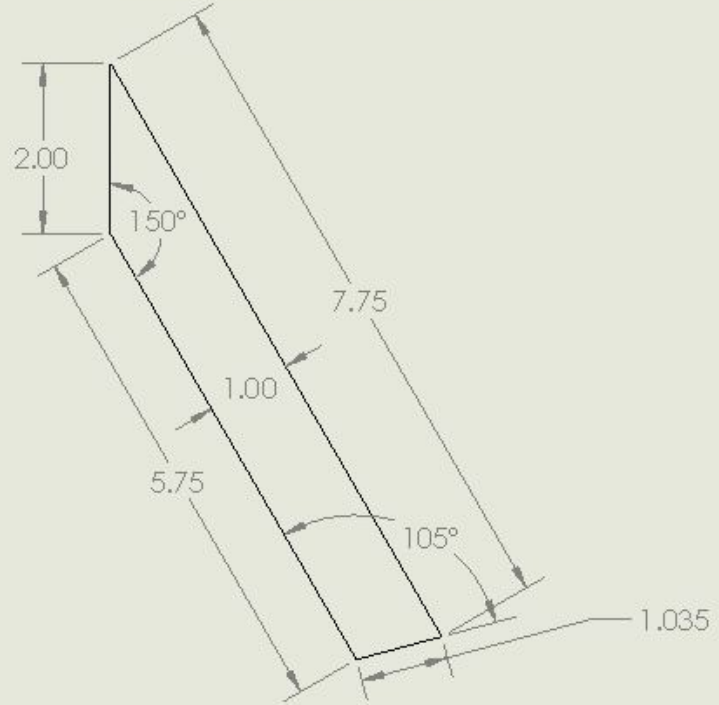
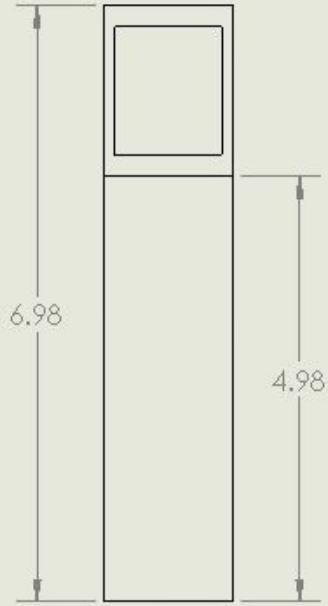
1

2

1

B

B



A

A

PROPRIETARY AND CONFIDENTIAL  
 THE INFORMATION CONTAINED IN THE  
 DRAWING IS THE SOLE PROPERTY OF  
 <INSERT COMPANY NAME HERE>. ANY  
 REPRODUCTION IN PART OR AS A WHOLE  
 WITHOUT THE WRITTEN PERMISSION OF  
 <INSERT COMPANY NAME HERE> IS  
 PROHIBITED.

		UNLESS OTHERWISE SPECIFIED:	NAME	DATE
		DIMENSIONS ARE IN INCHES	DRAWN	MM
		TOLERANCES: 0.002	CHECKED	8/28/21
		FRACTIONAL ±	ENG APPR.	
		ANGULAR: MATCH ± BEND ±	MFG APPR.	
		TWO PLACE DECIMAL ±0.002	Q.A.	
		THREE PLACE DECIMAL ±0.002	COMMENTS:	
		INTERPRET GEOMETRIC TOLERANCING PER:		
		MATERIAL: 6061-T6 Aluminum		
NEXT ASSY	USED ON	FINISH		
		DO NOT SCALE DRAWING		

TITLE:  
**Mechanical Mesquite  
 Bean Harvester**

SIZE **A** DWG. NO. **HookPiece2** REV **1**

SCALE: 1:2 WEIGHT: SHEET 1 OF 1

2

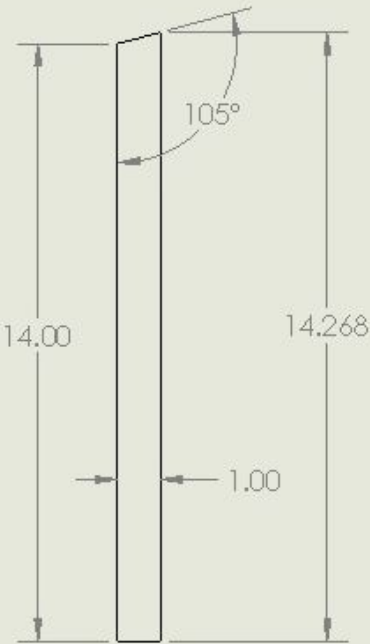
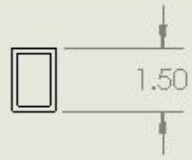
1

2

1

B

B



A

A

PROPRIETARY AND CONFIDENTIAL  
 THE INFORMATION CONTAINED IN THE  
 DRAWING IS THE SOLE PROPERTY OF  
 <INSERT COMPANY NAME HERE>. ANY  
 REPRODUCTION IN PART OR AS A WHOLE  
 WITHOUT THE WRITTEN PERMISSION OF  
 <INSERT COMPANY NAME HERE> IS  
 PROHIBITED.

		UNLESS OTHERWISE SPECIFIED:	NAME	DATE
		DIMENSIONS ARE IN INCHES	DRAWN	MM
		TOLERANCES: 0.003	CHECKED	8/27/21
		FRACTIONAL ±	ENG APPR.	
		ANGULAR: MACH ± BEND ±	MFG APPR.	
		TWO PLACE DECIMAL ±0.003	Q.A.	
		THREE PLACE DECIMAL ±0.002	COMMENTS:	
		INTERPRET GEOMETRIC TOLERANCING PER:		
		MATERIAL		
		6061-T6 Aluminum		
		FINISH		
NEXT ASSY	USED ON			
APPLICATION		DO NOT SCALE DRAWING		

TITLE:  
 Mechanical Mesquite  
 Bean Harvester

SIZE	DWG. NO.	REV
<b>A</b>	HookPiece3	<b>1</b>

SCALE: 1:4 WEIGHT: SHEET 1 OF 1

2

1