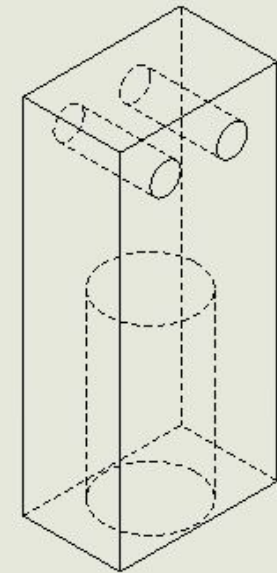
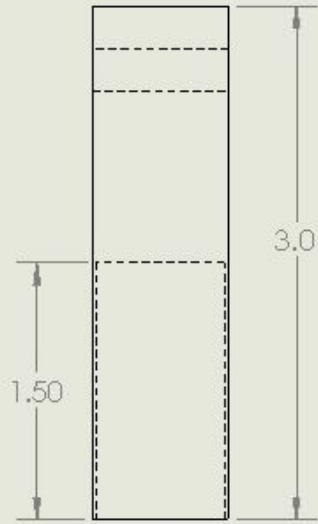
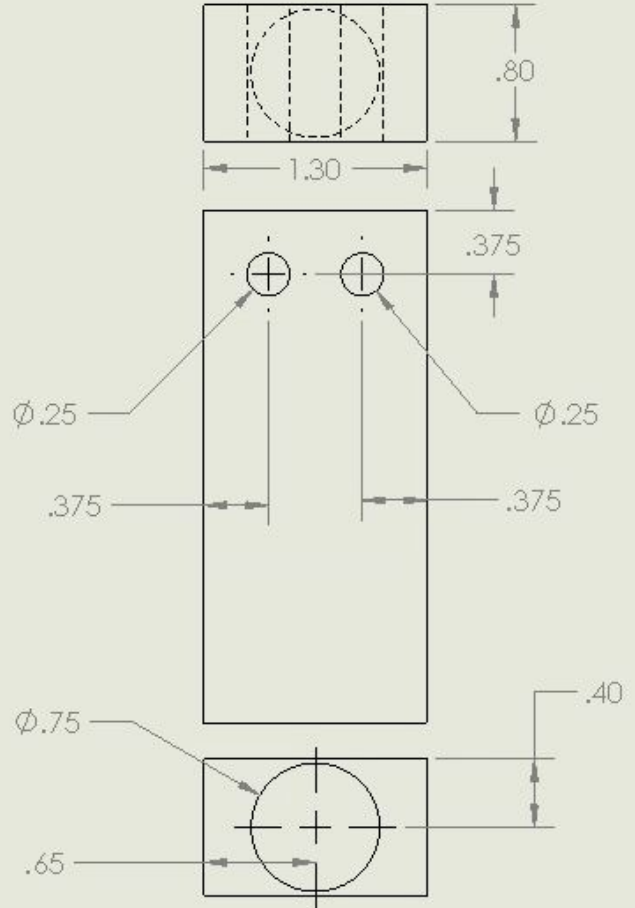


2

1

B

B



A

A

PROPRIETARY AND CONFIDENTIAL  
 THE INFORMATION CONTAINED IN THIS DRAWING IS THE SOLE PROPERTY OF  
 <INSERT COMPANY NAME HERE>. ANY  
 REPRODUCTION IN PART OR AS A WHOLE  
 WITHOUT THE WRITTEN PERMISSION OF  
 <INSERT COMPANY NAME HERE> IS  
 PROHIBITED.

UNLESS OTHERWISE SPECIFIED:		NAME	DATE
DIMENSIONS ARE IN INCHES		DRAWN	MM 8/2/21
TOLERANCES: 0.001		CHECKED	
FRACTIONAL $\pm 1/1000$		ENG APPR.	
ANGULAR: MACH $\pm$ BEND $\pm$		MFG APPR.	
TWO PLACE DECIMAL $\pm 0.001$		Q.A.	
THREE PLACE DECIMAL $\pm 0.001$		COMMENTS:	
INTERPRET GEOMETRIC TOLERANCING PER:			
MATERIAL: 6061-T6 Aluminum			
FINISH:			
NEXT ASSY	USED ON		
APPLICATION			

TITLE:		
Mechanical Mesquite Bean Harvester		
SIZE	DWG. NO.	REV
<b>A</b>	hookInsert	<b>1</b>
SCALE: 1:1	WEIGHT:	SHEET 1 OF 1

2

1