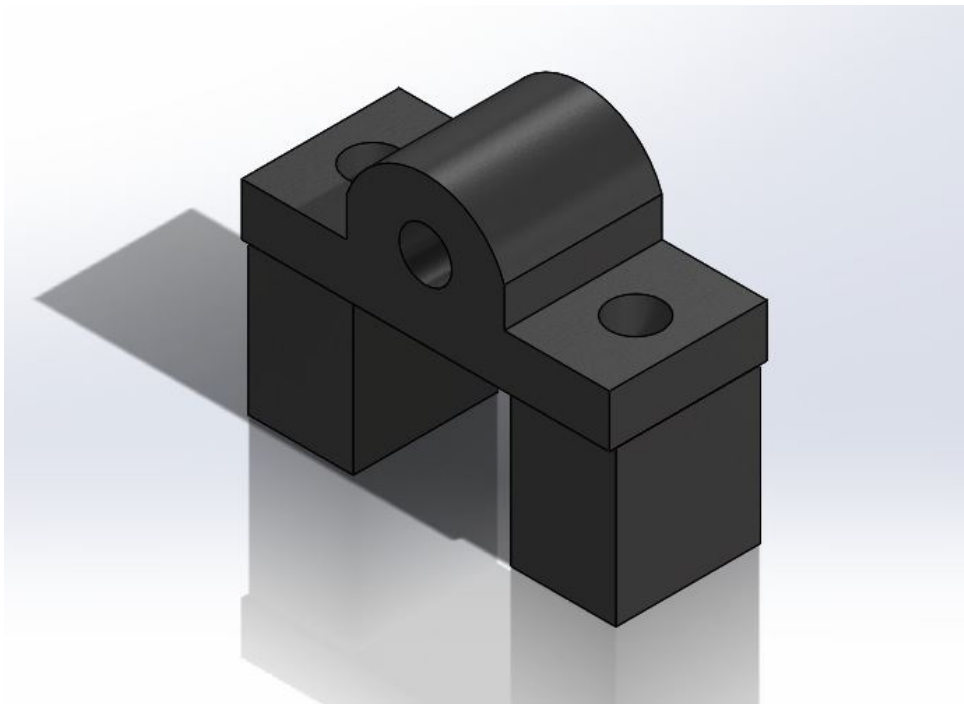
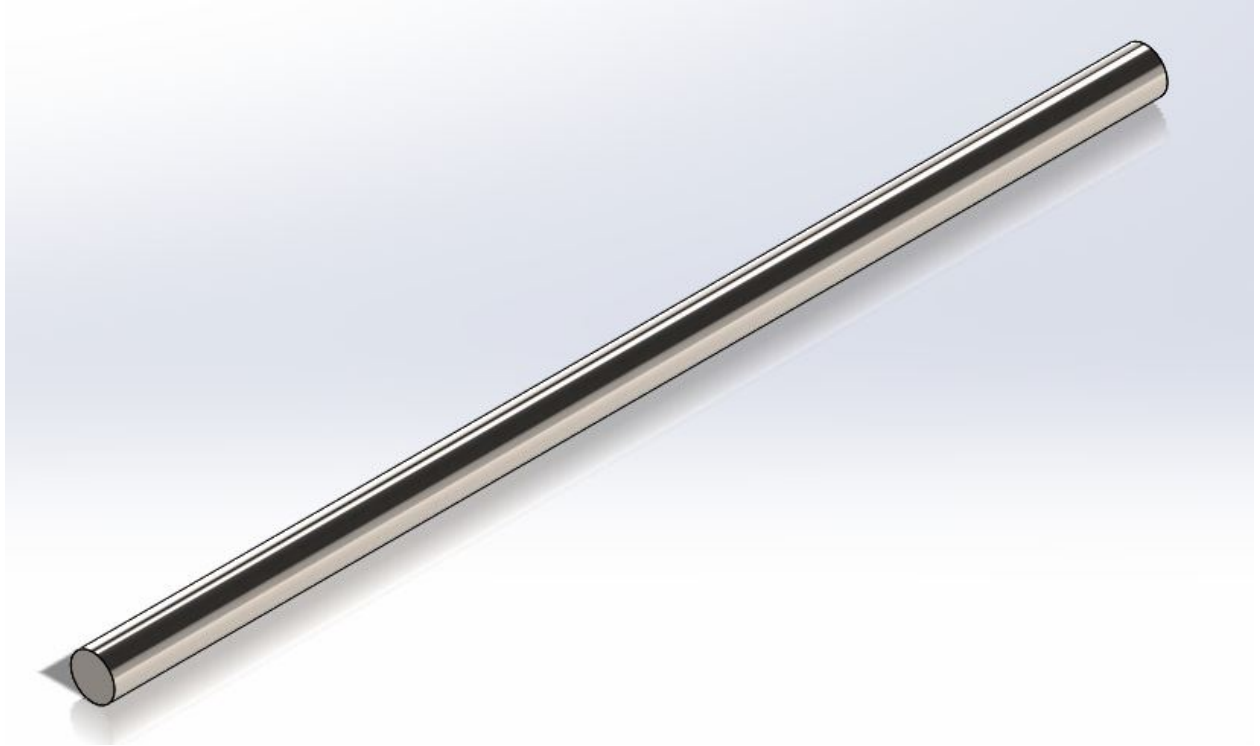


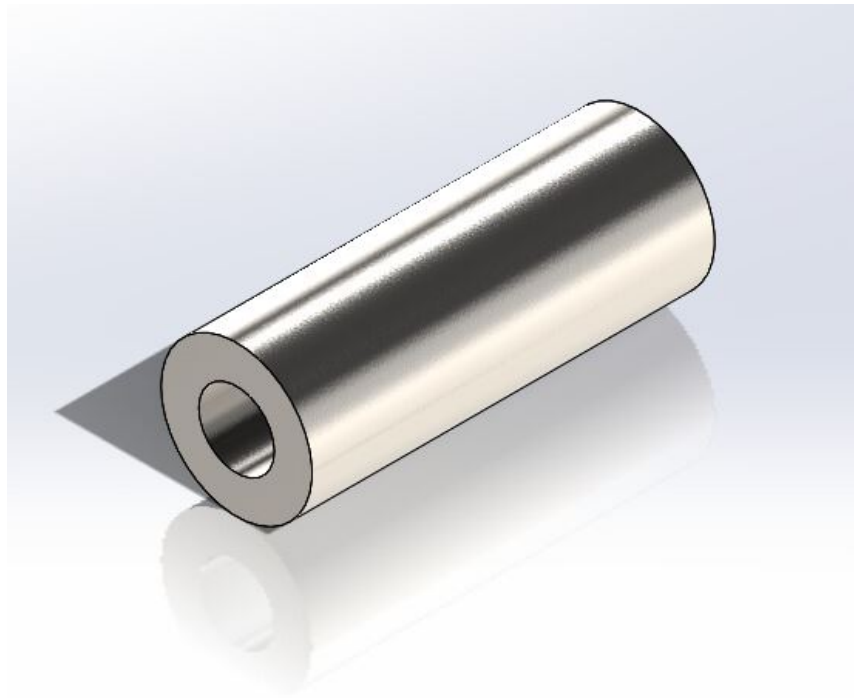
DC Motor



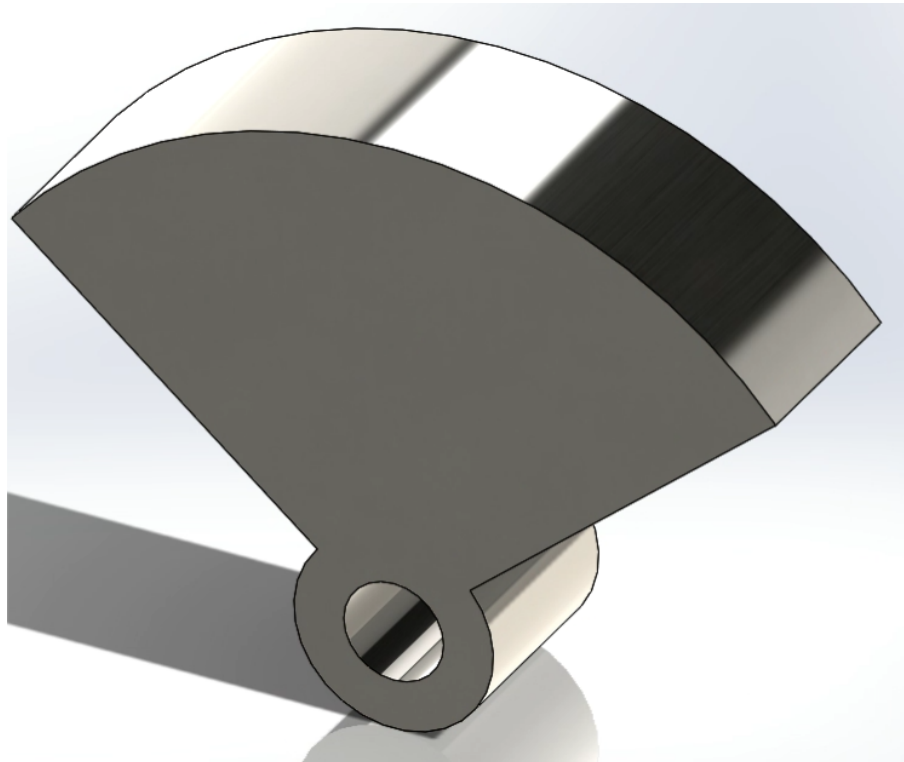
Pillow Block



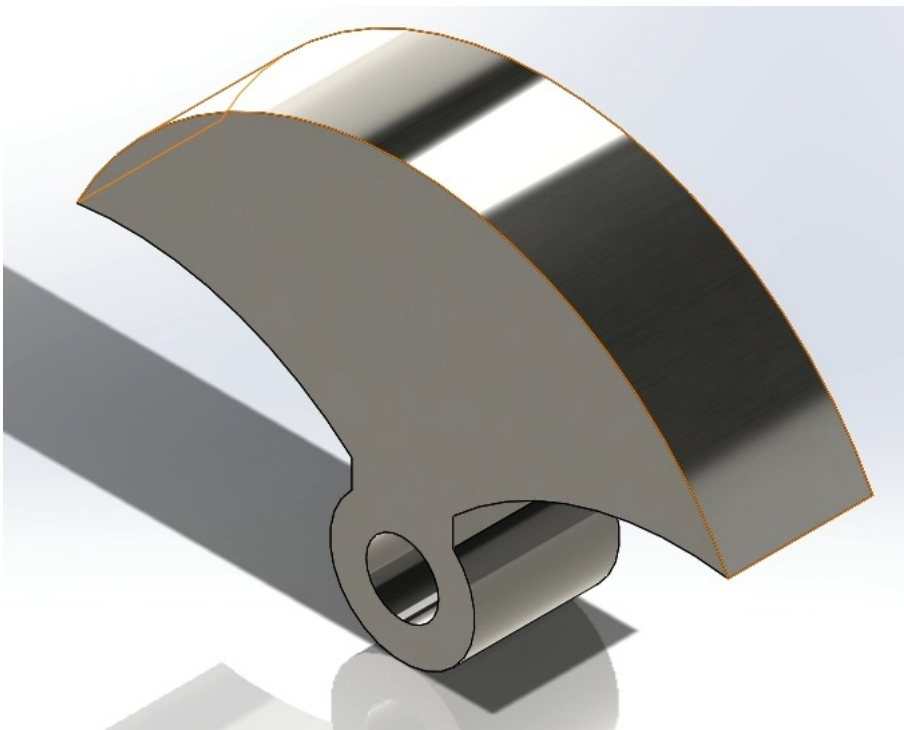
Shaft Extension



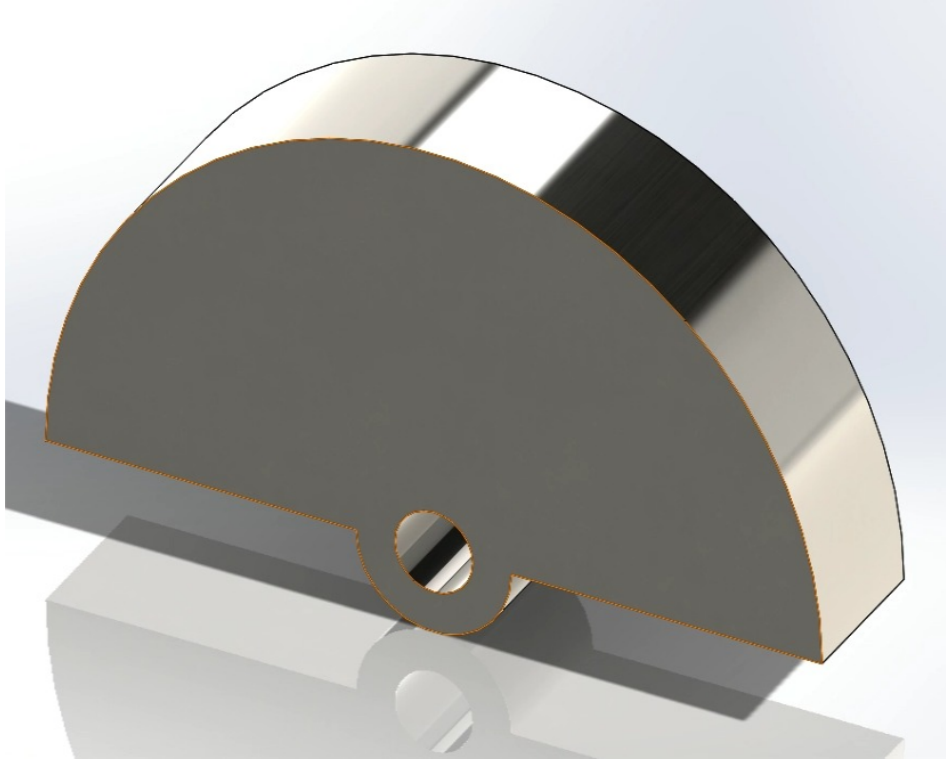
Shaft Coupling



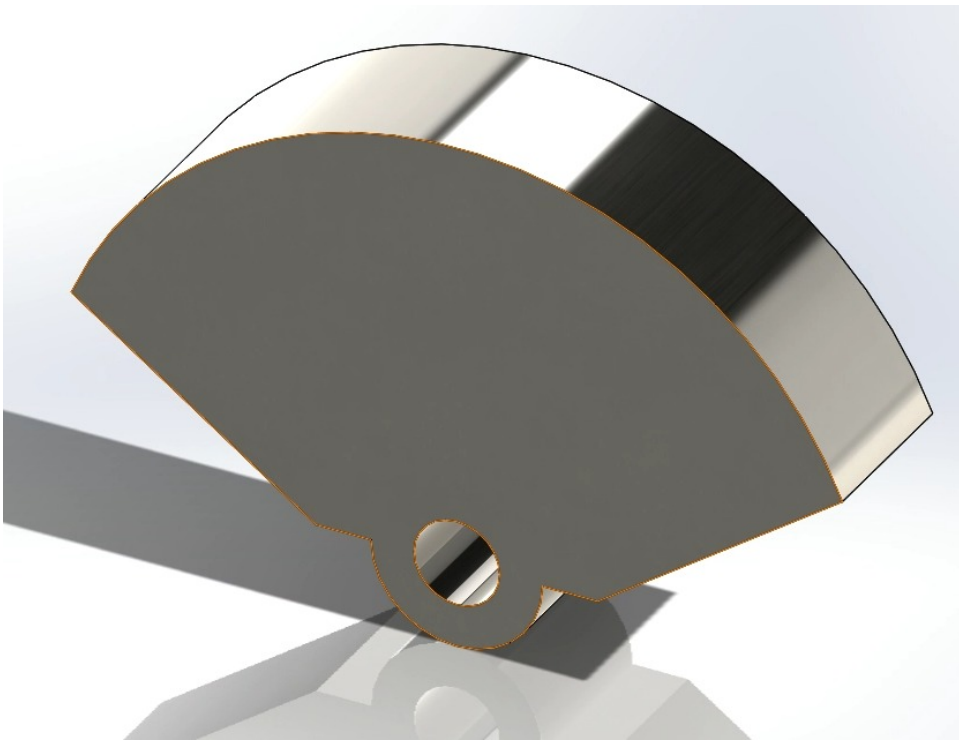
Offset Mass 1



Offset Mass 2



Offset Mass 3



Offset Mass 4