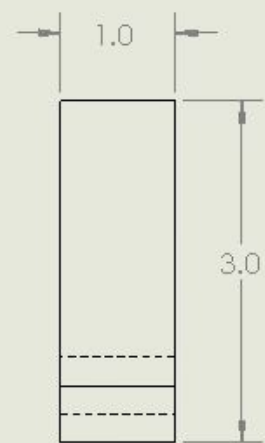
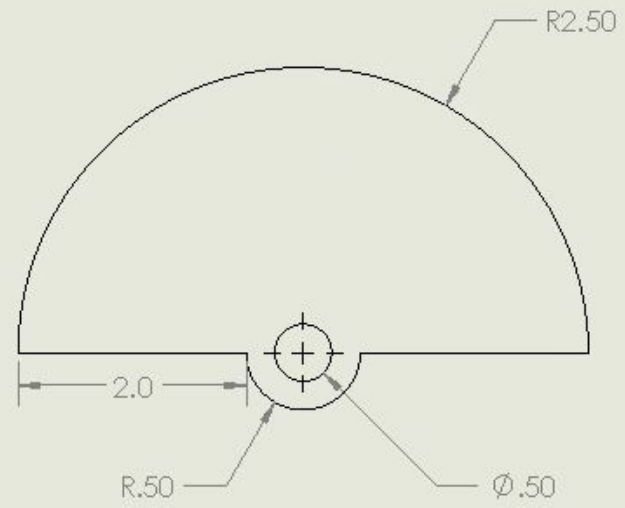


2

1

B

B



A

A

PROPRIETARY AND CONFIDENTIAL
 THE INFORMATION CONTAINED IN THE
 DRAWING IS THE SOLE PROPERTY OF
 <INSERT COMPANY NAME HERE>. ANY
 REPRODUCTION IN PART OR AS A WHOLE
 WITHOUT THE WRITTEN PERMISSION OF
 <INSERT COMPANY NAME HERE> IS
 PROHIBITED.

UNLESS OTHERWISE SPECIFIED:		NAME	DATE
DIMENSIONS ARE IN INCHES		DRAWN	MM 8/4/21
TOLERANCES: 0.001		CHECKED	
FRACTIONAL ± 1/1000		ENG APPR.	
ANGULAR: MATCH ± BEND ±		MFG APPR.	
TWO PLACED DECIMAL ± 0.001		Q.A.	
THREE PLACE DECIMAL ± 0.001		COMMENTS:	
INTERPRET GEOMETRIC TOLERANCING PER:			
MATERIAL			
Carbon Steel			
NEXT ASSY	USED ON		
APPLICATION			
DO NOT SCALE DRAWING			

TITLE:		
Mechanical Mesquite Bean Harvester		
SIZE	DWG. NO.	REV
A	3rd Mass	1
SCALE: 2:3	WEIGHT:	SHEET 1 OF 1

2

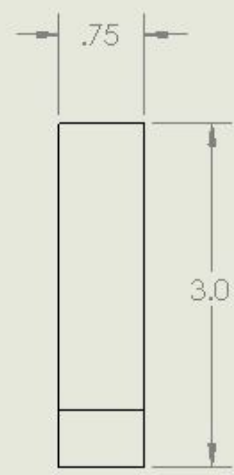
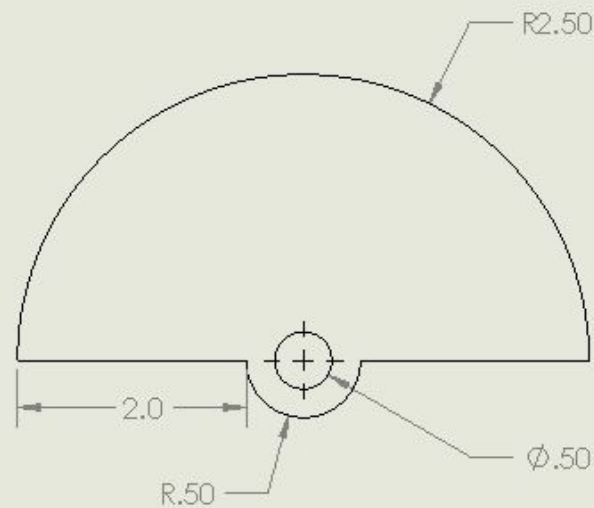
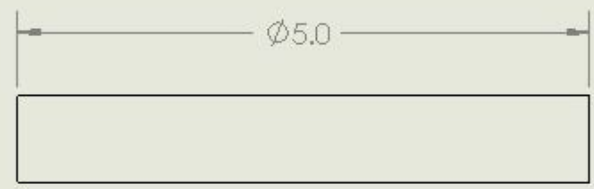
1

2

1

B

B



A

A

PROPRIETARY AND CONFIDENTIAL
 THE INFORMATION CONTAINED IN THIS
 DRAWING IS THE SOLE PROPERTY OF
 - INGER COMPANY NAME HERE -. ANY
 REPRODUCTION IN PART OR AS A WHOLE
 WITHOUT THE WRITTEN PERMISSION OF
 - INGER COMPANY NAME HERE - IS
 PROHIBITED.

UNLESS OTHERWISE SPECIFIED:		NAME	DATE
DIMENSIONS ARE IN INCHES		DRAWN	MM
TOLERANCES: 0.001		CHECKED	9/15/21
FRACTIONAL ± 1/1000		ENG APPR.	
ANGULAR: MA CH ± BEND ±		MFG APPR.	
TWO PLACE DECIMAL ± 0.001		Q.A.	
THREE PLACE DECIMAL ± 0.001		COMMENTS:	
INTERPRET GEOMETRIC TOLERANCING PER:			
MATERIAL			
Carbon Steel			
FINISH			
NEXT ASSY	USED ON		
APPLICATION			

TITLE:
 Mechanical Mesquite
 Bean Harvester

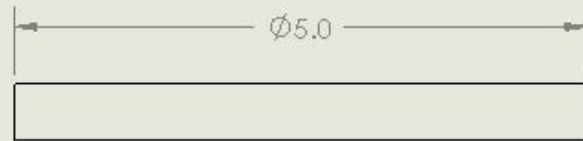
SIZE	DWG. NO.	REV
A	3rd Mass 0.75thk	1
SCALE: 2:3	WEIGHT:	SHEET 1 OF 1

2

1

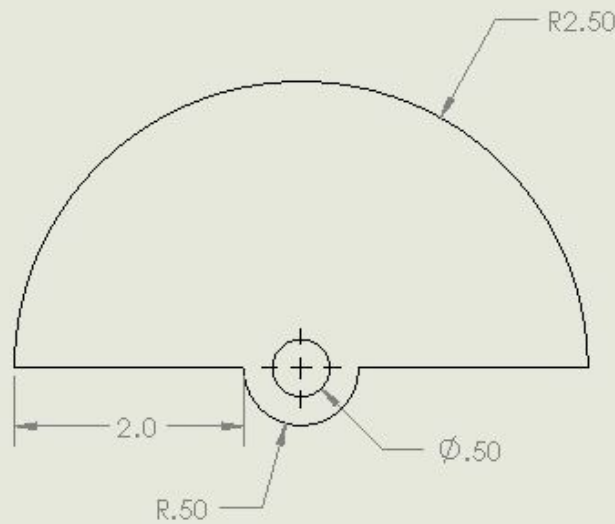
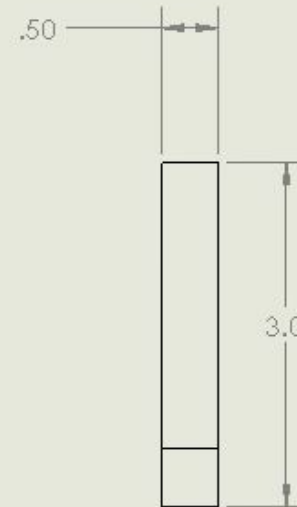
2

1



B

B



A

A

PROPRIETARY AND CONFIDENTIAL
 THE INFORMATION CONTAINED IN THE
 DRAWING IS THE SOLE PROPERTY OF
 <INSERT COMPANY NAME HERE>. ANY
 REPRODUCTION IN PART OR AS A WHOLE
 WITHOUT THE WRITTEN PERMISSION OF
 <INSERT COMPANY NAME HERE> IS
 PROHIBITED.

		UNLESS OTHERWISE SPECIFIED:	NAME	DATE
		DIMENSIONS ARE IN INCHES	DRAWN	MM
		TOLERANCES: 0.001	CHECKED	9/15/21
		FRACTIONAL ± 1/1000	ENG APPR.	
		ANGULAR: MA CH ± BEND ±	MFG APPR.	
		TWO PLACE DECIMAL ± 0.001	Q.A.	
		THREE PLACE DECIMAL ± 0.001	COMMENTS:	
		INTERPRET GEOMETRIC TOLERANCING PER:		
		MATERIAL		
		Carbon Steel		
		FINISH		
NEXT ASSY	USED ON			
APPLICATION		DO NOT SCALE DRAWING		

TITLE:
**Mechanical Mesquite
 Bean Harvester**

SIZE A	DWG. NO. 3rd Mass 0.5thk	REV 1
SCALE: 2:3	WEIGHT:	SHEET 1 OF 1

2

1